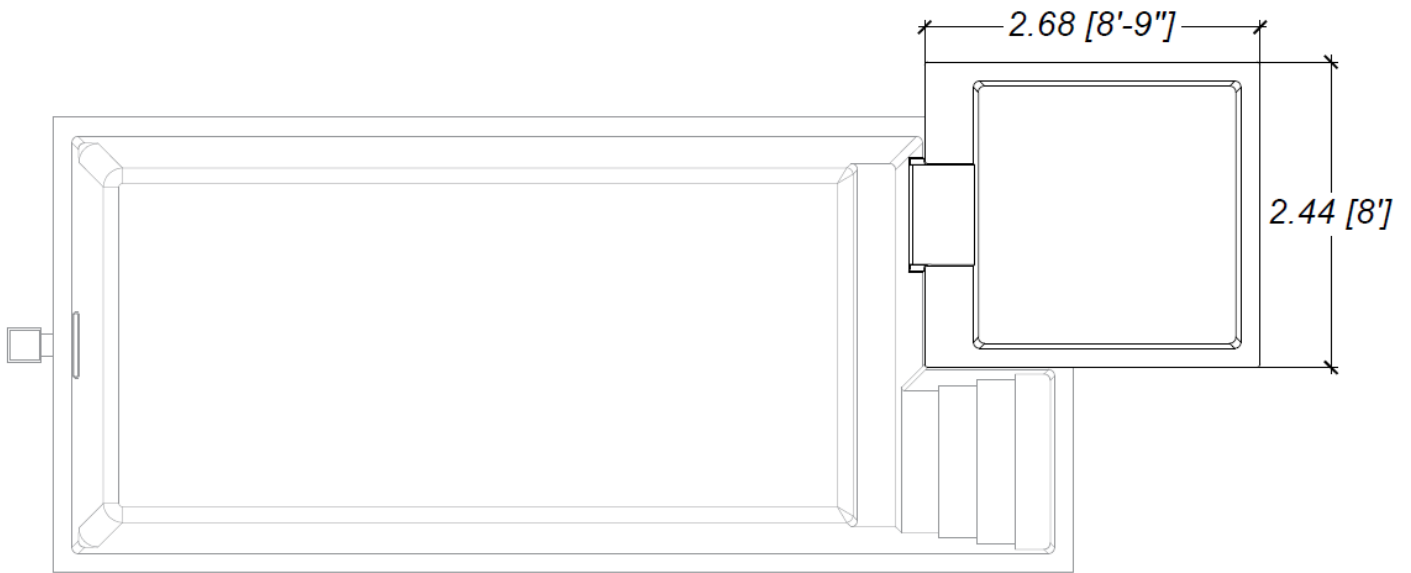
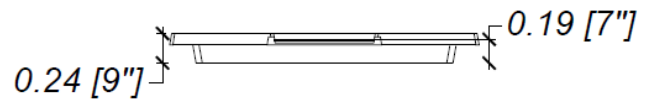
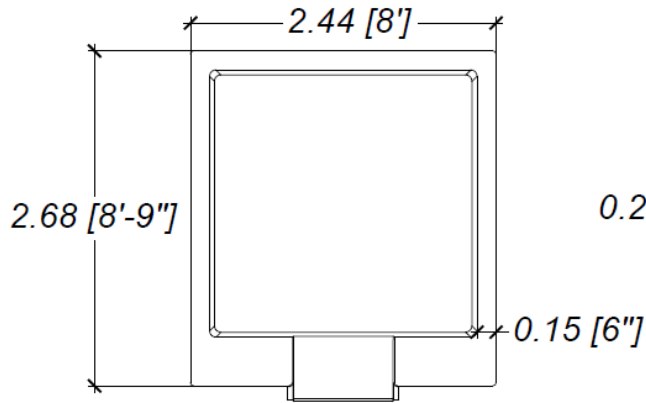



**SQUARE
DECK
8' x 9'**




Structure of the overflow tanning ledge entirely in fiberglass.

 Water Qty
785 liters / 207 Gallons

 Perimeter
34 linear ft

 Water level in overflow tanning ledge
7'

 Overflow tanning ledge weight
150 lb

With our overflow tanning ledge, enjoy a play area for the little ones or simply relax to the sound of the fountain. You can also set up your deck chairs on the terrace to enjoy the sun directly on the water. This model is designed to accommodate all our rectangular pool models.

**The values given are approximate, they do not engage the responsibility of the Okéanos Piscine Québec company.*